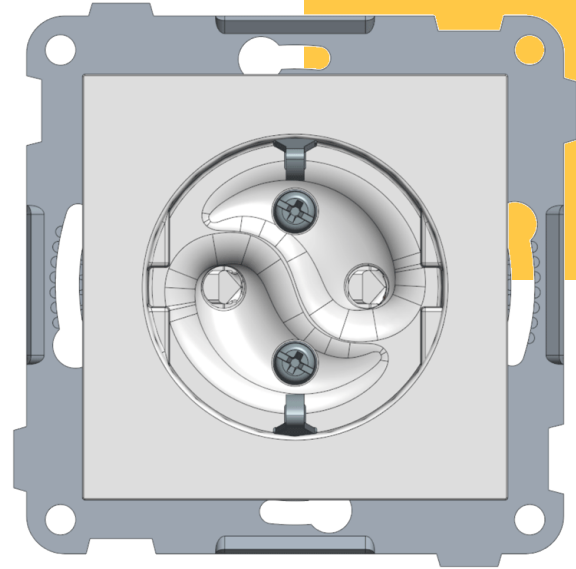


Flow Single Socket

Excluding frame, white



Meet Flow. The next-generation socket outlet with universal design to simplify your everyday life. Flow is suitable for everyone, and is also a helping hand for people with impaired fine motor skills as well as for the blind and partially sighted. Grounded, halogen-free power socket in polar white finish to fit perfectly in to every home. All Flow sockets are halogen-free, with earthing pins and a built-in child safety device to prevent small fingers from finding their way into the sockets.

Production data

- EI-number (NO): 1504016
- Product category: Electrical installation product
- SKU/Art.no: FLOW-1Cb-W
- GTIN (EAN): 7090026462206

Power

- Primary power source: Part of Fixed Installation
- Plug type (IEC): Type F
- Voltage (V): 230-AC
- Max Load (A ~ V): 16A ~ 250V

Certificates

- Nemko, CE

Technical Specifications

- Outlets (Qty): 1
- Maximum Cross Section (mm²): 1,5-2,5

Design, dimensions and weight

- Universal Design
- Dimensions HxWxD (mm): 84x84x42
- Net weight (g) F-PAK: 770
- Net weight per unit (g): 77

Safety

- Child protection
- Grounding
- Protection class I
- Halogen-free

Key features

- ▶ Universal Design (Yin Yang)
- ▶ Single socket outlet
- ▶ Polar White (RAL9010)
- ▶ German Schuko (Type F)
- ▶ Authorized installer required

Order no.: 121850

Flow Single Socket

Excluding frame, white

Placement and operation temperature

- Field of application: Indoors
- IP classification: IP20
- Mounting options: Screws
- Placement: Integrated (Surface mounted)
- Screw Distance c-c (mm): 60
- Maximum Torque for Screws (Nm): 1,2 (Ihht. IEC 62196-1)
- Authorized installer required
- Type of junction box: Single
- Integration depth (mm): 30.9
- Terminal connection type: Screw Terminals (PH2)

Package Content

- Socket Base
- Central Plate

Materials and colors

- Finish: Thermoplastic cover
- Color: Polar White

Logistics and packaging

- Customs Tariff Number (HS-Code): 8536.69.8000
- Country of origin: CN
- Dimensions F-PAK HxWxD (cm): 15,2x8x21,5
- Dimensions D-PAK HxWxD (cm): 42x23,5x32,5
- Gross weight F-PAK (g): 845
- Gross weight D-PAK(kg): 9
- Quantity in F-PAK (sales pack): 10
- Number of F-PAK in D-PAK (carton): 100
- Minimum order quantity: 100
- Order multiple: 100
- Storage temperature (°C): 10-35°C
- Storage humidity (%): 30-50%RH (No condensation)